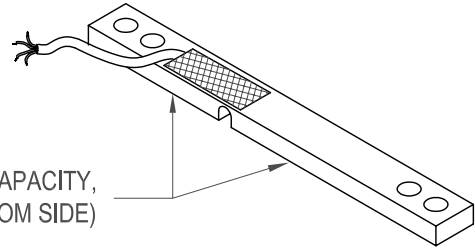


FUTEK MODEL LBB200 (L1501) CANTILEVER BENDING BEAM LOAD CELL

Drawing Number: FI1049-B

INCH [mm] | R.O.= Rated Output

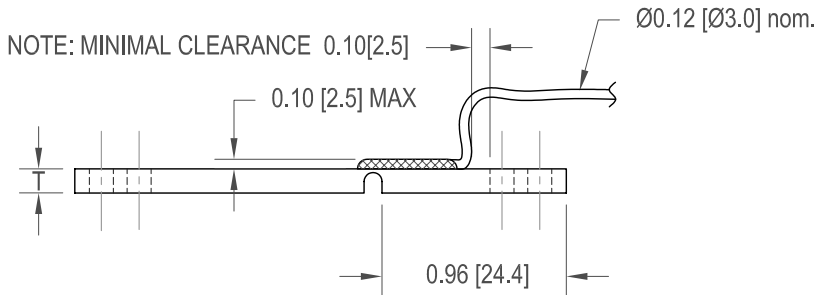
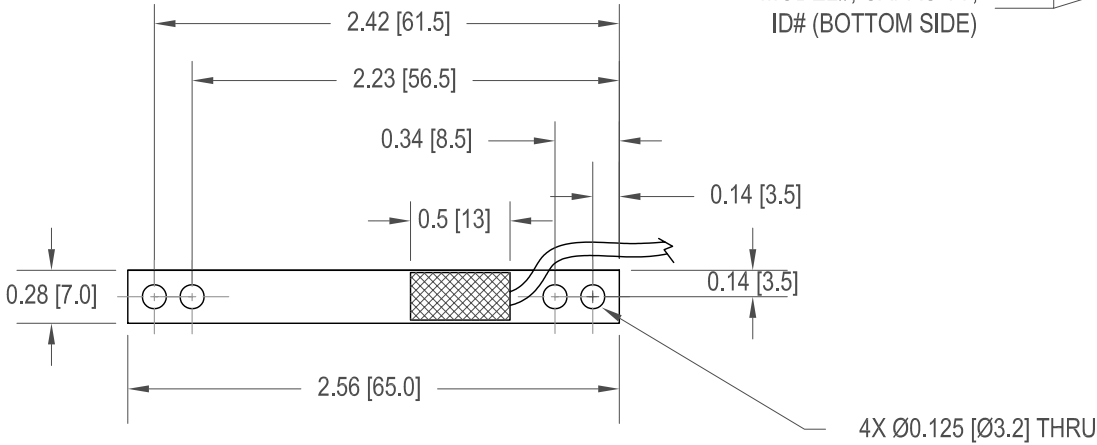
WIRING CODE (WC3)			
+Excitation	-Excitation	+Signal	-Signal
RED	WHITE	BLACK	GREEN
Shield			
FLOATING			



MODEL#, CAPACITY,
ID# (BOTTOM SIDE)



- OUTPUT
(COMPRESSION)



lb	CAPACITY		NOM. DEFLECTION	T
	lb	N		
FSH00887	1/4	1.1	0.022 [0.56]	0.12 [3]
FSH00888	1/2	2.2	0.016 [0.41]	0.12 [3]
FSH00889	1	4.5	0.011 [0.28]	0.12 [3]
FSH00890	2	8.9	0.008 [0.20]	0.12 [3]
FSH00891	5	22	0.010 [0.25]	0.18 [4.6]
FSH00892	10	44.5	0.008 [0.20]	0.18 [4.6]
FSH00893	25	111	0.015 [0.38]	0.18 [4.6]

SPECIFICATIONS:

RATED OUTPUT	1 mV/V nom.
SAFE OVERLOAD	150% of R.O.
ZERO BALANCE	±10% of R.O.
EXCITATION (VDC OR VAC)	18 MAX
BRIDGE RESISTANCE	1000 Ω nom.
NONLINEARITY	±0.05% of R.O.
HYSTERESIS	±0.05% of R.O.
NONREPEATABILITY	±0.01% of R.O.
TEMP. SHIFT ZERO	±0.02% of R.O./°F [0.036% of R.O./°C]
TEMP. SHIFT SPAN	±0.02% of LOAD/°F [0.036% of LOAD/°C]
COMPENSATED TEMP.	60 to 160°F [15 to 72°C]
OPERATING TEMP.	-45 to 200°F [-42 to 93°C]
WEIGHT	1 oz [28 g]
MATERIAL	17-4PH S.S.
DEFLECTION:	SEE CHART
CABLE: #28 AWG, 4 Conductor, Spiral Shielded PVC Cable 1 ft [0.3 m] Long	