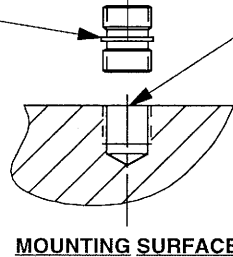


**SCHEMATIC DIAGRAM**

**MOUNTING PREPARATION**

PREPARE SURFACE Ø1.05, FLAT TO .001 TIR. Ⓐ  
 DRILL #3 (Ø.213) X .250 DEEP  
 BOTTOM TAP 1/4-28 UNF-2B X .200 MIN THREAD DEPTH

6176 MOUNTING STUD (SUPPLIED)



**EXCEPT AS OTHERWISE NOTED**

ALL DIMENSIONS IN INCHES  
 TOLERANCE: .XXX = ± .XX = ±  
 SURFACE FINISH EXCEPT AS NOTED ✓  
 BREAK EDGES TO DEBURR RADIUS OR CHAMFER

△ THESE DIAS ○ TO T.I.R.

FILLETS - MAX RAD.

ALL PART NUMBER LETTER SUFFIXES ARE TO BE INTERPRETED AS FOLLOWS:

- I.E. - 107-0000-01 ⓧ
- M - MACHINED ONLY (UNPLATED)
  - P - PLATED/PAINTED
  - H - HEAT TREATED
  - G - MATERIAL HAS BEEN GRAINED
  - S - MATERIAL HAS BEEN SAWCUT
  - E - ENVIRONMENTAL TEST

<b>DIYTRAN</b> INSTRUMENTS, INC.		<b>MASTER ONLY IF IN RED</b>		CHATSWORTH, CA.	
SCALE	1X	REV	A	DATE	8/6/02
DATE	3/24/98	PART NO.			
DRAWN	N.C.	CHECKED	R.A.	MAT'L	
APPROVED	8-6-02		NEXT ASSEMBLY	USED ON	3192A
TITLE				DWG NO.	
OUTLINE/INSTALLATION DRAWING, MODEL 3192A				127-3192A	
				SHEET 1 OF 1	

<b>Model Number</b> 3192A	<b>PERFORMANCE SPECIFICATION</b>	<b>DOC NO</b> PS3192A
	<b>SINGLE AXIS IEPE ACCELEROMETER</b>	REV C, ECN 9493, 12/06/10



- HIGH SENSITIVITY
- HERMETICALLY SEALED
- EXCELLENT LINEARITY

**PHYSICAL**

Weight  
Size  
Connector  
Mounting Provision : Tapped Hole  
Material : Base, Cap and Connector  
Element Style

ENGLISH		SI	
Weight	6.65 oz	190.0	grams
Size	1.125 x 2.25 Inches	28.57 x 57.15	mm
Connector	10SL-4P	10SL-4P	
Mounting Provision : Tapped Hole	1/4-28 x .250 deep	1/4-28 x .250 deep	
Material : Base, Cap and Connector	304L	304L	
Element Style	Ceramic	Ceramic	
	Planar Shear	Planar Shear	

**PERFORMANCE**

Sensitivity, ±5% [1]  
Range F.S for ± 5 Volts Output  
Frequency Range, ±5%  
Resonant Frequency, Nominal  
Equivalent Electrical Noise Floor  
Spectral Noise

Sensitivity, ±5% [1]	1 V/g	0.10	V/m/s <sup>2</sup>
Range F.S for ± 5 Volts Output	±5 g's	±49	m/s <sup>2</sup>
Frequency Range, ±5%	0.5 to 1000 Hz	0.5 to 1000	Hz
Resonant Frequency, Nominal	12 kHz	12	kHz
Equivalent Electrical Noise Floor	0.000036 grms	0.000035	m/s <sup>2</sup> rms
Spectral Noise	1Hz: 4.0 µgrms/v(Hz)	39.24	µm/s <sup>2</sup> rms/v(Hz)
	10Hz: 8.1 µgrms/v(Hz)	79.46	µm/s <sup>2</sup> rms/v(Hz)
	100Hz: 0.5 µgrms/v(Hz)	4.91	µm/s <sup>2</sup> rms/v(Hz)
	1000Hz: 0.36 µgrms/v(Hz)	3.53	µm/s <sup>2</sup> rms/v(Hz)

Linearity [3]  
Maximum Transverse sensitivity  
Strain Sensitivity

Linearity [3]	± 2% % F.S.	± 2%	% F.S.
Maximum Transverse sensitivity	5 %	5	%
Strain Sensitivity	0.005 g/µε	0.05	m/s <sup>2</sup> /µε

**ENVIRONMENTAL**

Maximum Vibration  
Maximum Shock  
Temperature Range  
Seal, Hermetic

Maximum Vibration	±50 gpeak	±490	m/s <sup>2</sup> peak
Maximum Shock	±100 gpeak	±981	m/s <sup>2</sup> peak
Temperature Range	-60 to +250 °F	-51 to 121	°C
Seal, Hermetic	Glass-to-metal/Welded	Glass-to-metal/Welded	

**ELECTRICAL**

Supply Current Range [4]  
Compliance Voltage Range  
Output Impedance, Typ  
Bias Voltage  
Discharge Time Constant  
Output Signal Polarity for Acceleration Towards Top  
Electrical Isolation, Case Ground To Mounting Surface

Supply Current Range [4]	2 to 20 mA	2 to 20	mA
Compliance Voltage Range	+ 18 to +30 Volts	+18 to +30	Volts
Output Impedance, Typ	100 Ω	100	Ω
Bias Voltage	+11 to +13 VDC	+11 to +13	VDC
Discharge Time Constant	0.8 to 2.0 Sec	0.8 to 2.0	Sec
Output Signal Polarity for Acceleration Towards Top	Positive	Positive	
Electrical Isolation, Case Ground To Mounting Surface	10 GΩ, min	10	GΩ, min

**This family also includes:**

Model	Sensitivity (mV/g)	Range F.S ± 5 Volts (G's)	Max Vibration/Shock(± Gpeak)	Resonant Frequency (kHz)

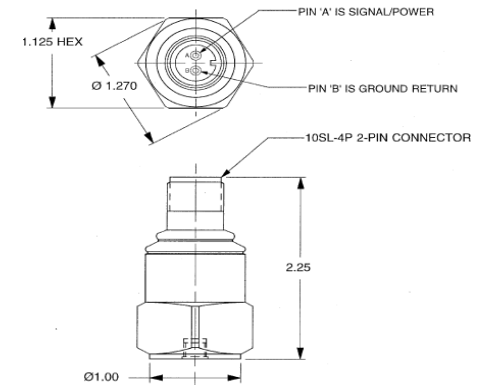
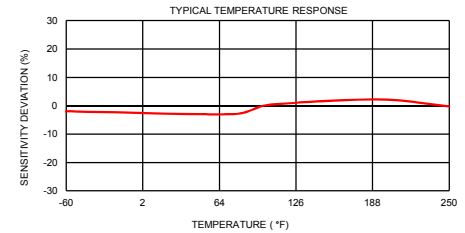
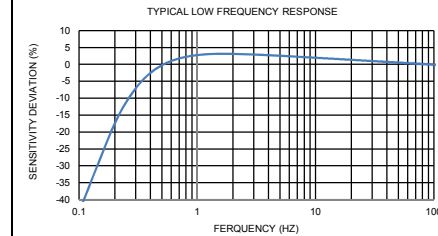
Please refer to the performance specifications of the products in this family for detailed description

**Supplied Accessories:**

- 1) Accredited calibration certificate (ISO 17025)
- 2) Model 6176 mounting stud, Qty 1

**Notes:**

- [1] Measure at 100Hz, 1 Grms per ISA RP 37.2
- [2] Measure using zero-based straight line method, % of F.S. or any lesser range
- [3] Do not apply power to this system without current limiting, 20 mA MAX. To do so will destroy the IC charge amplifier



Units on the line drawing are in inches, units in brackets are in millimeters. Refer to 127-3192A for more information.



21592 Marilla Street, Chatsworth, California 91311 Phone: 818.700.7818 Fax: 818.700.7880 www.dytran.com  
For permission to reprint this content, please contact info@dytran.com